



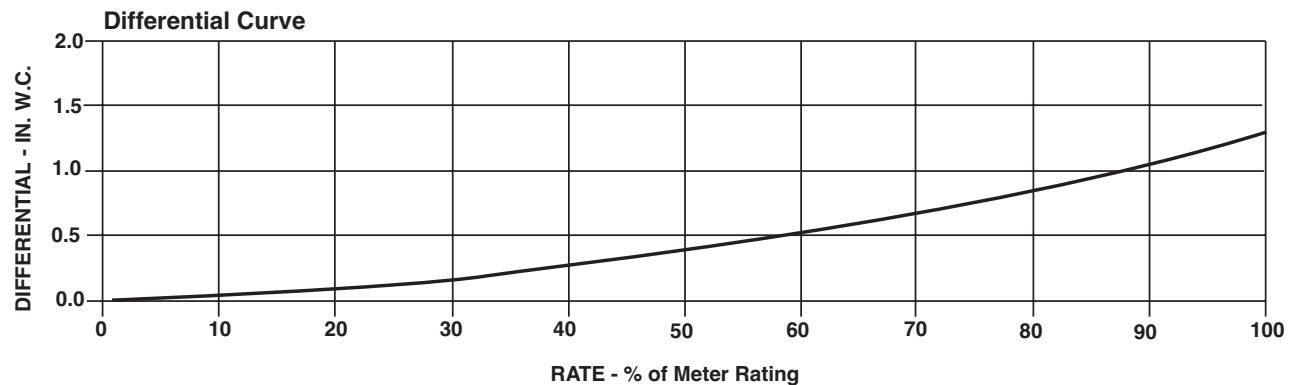
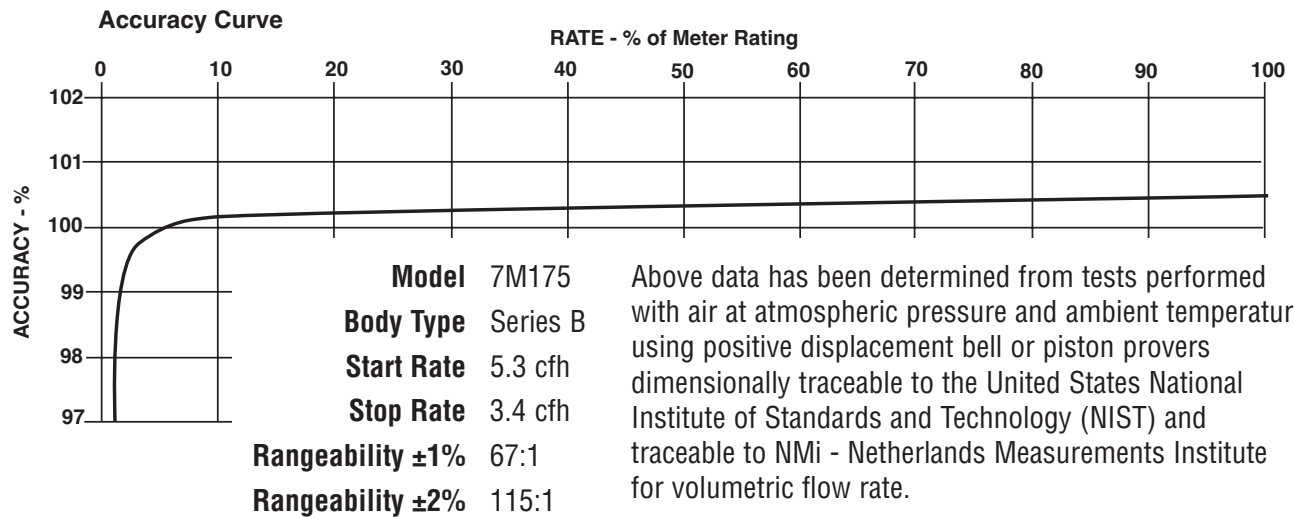
SERIES B3: 7M175 ROOTS® Meter

	UNITS	Imperial	UNITS	Metric
Temperature Range	deg. F	-40 to +140	deg. C	-40 to +60
Base Rating (Q Max.)	acfh	7000	m ³ /h	200,0
Max. Operating Pressure (MAOP)	psig	175	kPa	1200
Leak Test (125% MAOP)	psig	219	kPa	1510
Static Test (2 x MAOP)	psig	350	kPa	2400
Rangeability +/- 1%	ratio	67:1	ratio	67:1
Rangeability +/- 2%	ratio	115:1	ratio	115:1
Start Rate	cfh	5.33	m ³ /h	0,1509
Stop Rate	cfh	3.39	m ³ /h	0,0960
Flow Rate @ 0.5" w.c., Gas	cfh	5400	m ³ /h	152,9
Avg. Differential, 100% Flow	in. w.c.	1.6	mbar	4,0
Max. Pressurization Rate	psig/sec	5	kPa/sec	35
Max. Operating Speed	rpm	1867	rpm	1867
Gear Ratio	ratio	160:1	ratio	564,9038:1
Displaced Volume/Revolution	cf	0.0625	m ³	0,001770
Drive Rate, CD	cf/rev	10	m ³ /rev	1
Drive Rate, TD	cf/rev	100	m ³ /rev	10
Temp. Compensating Range (TC, TD)	deg. F	-20 to +120	deg. C	-20 to +50
Min. Odometer Reading	cf	0.2	m ³	0,02
Odometer Turnover	yrs.	1.63	yrs.	5,77
Nominal Pipe Size	in.	3	mm	80
Flange-to-Flange	in.	9-1/2	mm	241,3
Flange Connection	ANSI	150#FF	ANSI	150#FF
Bolts per Flange	qty.	4	qty.	4
Bolt Size ¹	in.	5/8 - 11	in.	5/8 - 11
Flange Bolt Hole Depth	in.	15/16	mm	23,8
Bolt Torque: Lubricated/Non-Lub.	ft.-lb.	55/60	N-m	74/81
Restricting Orifice (120%)	in.	13/16	mm	20,638
Oil Capacity – Side Inlet	oz.	3	ml	89
Oil Capacity – Top Inlet	oz.	21.9	ml	648
Counter Version (CTR) ²				
Net Weight	lbs.	52	kg	23,6
Shipping Weight	lbs.	58	kg	26,3
Carton Size	in.	33 x 12-1/2 x 11	cm	83 x 31 x 28
Counter with Instrument Drive (CD) ²				
Net Weight	lbs.	58	kg	26,3
Shipping Weight	lbs.	64	kg	29,0
Carton Size	in.	33 x 12-1/2 x 11	cm	83 x 31 x 2

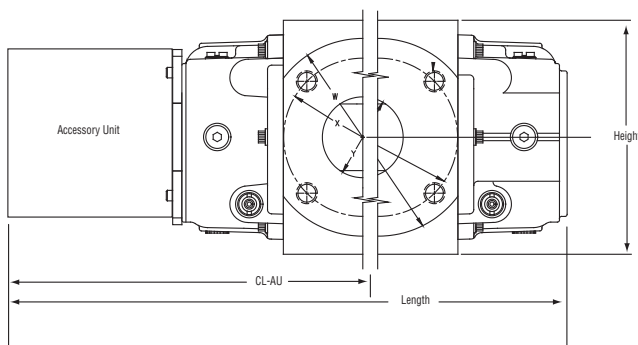
NOTES:

¹ Bolt Length varies by application.

² Weights and dimensions available for CPS, TC, TD, TPS upon request.



7M175 Series B3	Overall Length		Overall Height		Width (Flange/Flange)		Centerline to Accessory End (CL-AU)		Request Detailed Drawing Number
	inches	mm	inches	mm	inches	mm	inches	mm	
CTR/TC	18-1/8	461	8-7/8	225	9-1/2	241	11-5/8	295	D054518-000
CD/TD	21-19/32	548	8-7/8	225	9-1/2	241	15-3/32	383	D054432-000
ICPW/ITPW/ICEX	19-5/16	491	8-7/8	225	9-1/2	241	12-13/16	325	D056901-000
IMC/W2	24-3/16	614	8-7/8	225	9-1/2	241	17-11/16	449	D056703-000



To order

Specify: Meter Series, Size and Type (i.e., ROOTS Meter Series B3 7M175 CD).
 For CD or TD, specify Inlet (Top or Side) and ID Rotation (CW-B or CCW-A).
 For Pulsar, specify Single or Dual Connectors and Connector Type (MS Circular, Conduit or Cable Gland).
 For more specific ordering information on the electronic products, request: TS:SSP or TS:IMC/W2.
 Contact the factory for other available information, options, or special requests.

WWW.BURNERPARTS.COM
 2011 WILLIAMSBURG ROAD
 RICHMOND, VIRGINIA 23231
 (804) 236-3881 FAX (804) 236-3882

