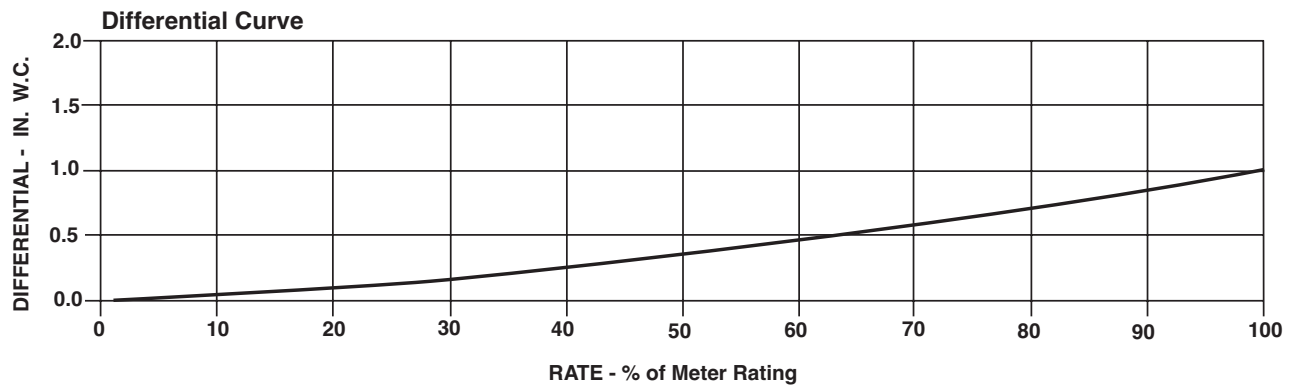
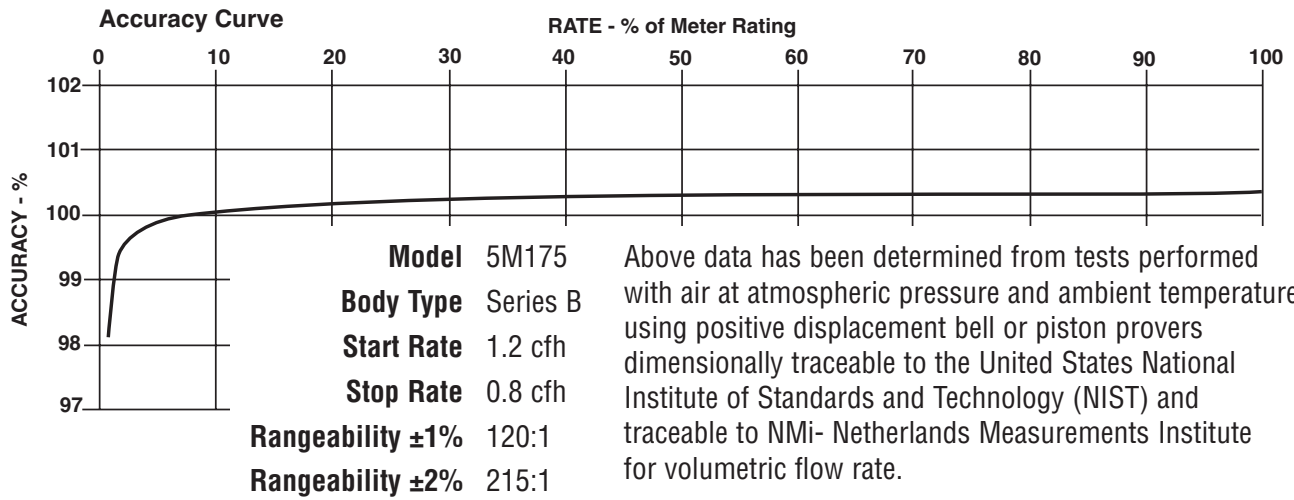




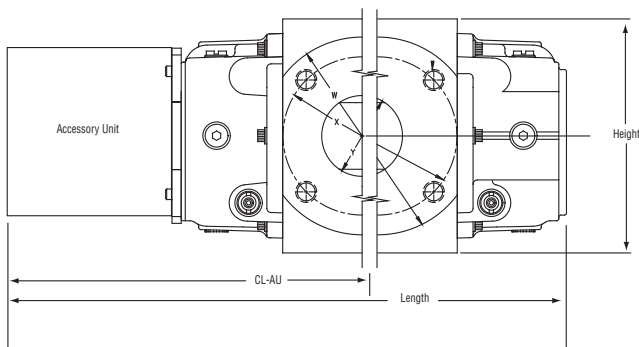
SERIES B3: 5M175 ROOTS® Meter

	UNITS	Imperial	UNITS	Metric
Temperature Range	deg. F	-40 to +140	deg. C	-40 to +60
Base Rating (Q Max.)	acfh	5000	m ³ /h	141,5
Max. Operating Pressure (MAOP)	psig	175	kPa	1200
Leak Test (125% MAOP)	psig	219	kPa	1510
Static Test (2 x MAOP)	psig	350	kPa	2400
Rangeability +/- 1%	ratio	120:1	ratio	120:1
Rangeability +/- 2%	ratio	215:1	ratio	215:1
Start Rate	cfh	1.2	m ³ /h	0,0340
Stop Rate	cfh	0.8	m ³ /h	0,0227
Flow Rate @ 0.5" w.c., Gas	cfh	3975	m ³ /h	112,6
Avg. Differential, 100% Flow	in. w.c.	1.05	mbar	2,6
Max. Pressurization Rate	psig/sec	5	kPa/sec	35
Max. Operating Speed	rpm	2250	rpm	2250
Gear Ratio	ratio	270:1	ratio	953,125:1
Displaced Volume/Revolution	cf	0.037037	m ³	0,0001049
Drive Rate, CD	cf/rev	10	m ³ /rev	1
Drive Rate, TD	cf/rev	100	m ³ /rev	10
Temp. Compensating Range (TC, TD)	deg. F	-20 to +120	deg. C	-20 to +50
Min. Odometer Reading	cf	0.2	m ³	0.02
Odometer Turnover	yrs.	2.28	yrs.	8,06
Nominal Pipe Size	in.	3	mm	80
Flange-to-Flange	in.	6-3/4	mm	172
Flange Connection	ANSI	150#FF	ANSI	150#FF
Bolts per Flange	qty.	4	qty.	4
Bolt Size ¹	in.	5/8 - 11	in.	5/8 - 11
Flange Bolt Hole Depth	in.	15/16	mm	23,8
Bolt Torque: Lubricated/Non-Lub.	ft.-lb.	55/60	N-m	74/81
Restricting Orifice (120%)	in.	23/32	mm	18,256
Oil Capacity – Side Inlet	oz.	1.25	ml	37
Oil Capacity – Top Inlet	oz.	7.65	ml	226
Counter Version (CTR) ²				
Net Weight	lbs.	35	kg	15,9
Shipping Weight	lbs.	38	kg	17,2
Carton Size	in.	26 x 10-5/16 x 7-3/4	cm	66 x 25 x 19
Counter with Instrument Drive (CD) ²				
Net Weight	lbs.	38	kg	17,2
Shipping Weight	lbs.	41	kg	18,6
Carton Size	in.	26 x 10-5/16 x 7-3/4	cm	66 x 25 x 19

NOTES:¹ Bolt Length varies by application.² Weights and dimensions available for CPS, TC, TD, TPS upon request.



5M175 Series B3	Overall Length		Overall Height		Width (Flange/Flange)		Centerline to Accessory End (CL-AU)		Request Detailed Drawing Number
	inches	mm	inches	mm	inches	mm	inches	mm	
CTR/TC	20	507	6-31/32	177	6-3/4	172	12-1/4	311	D054517-000
CD/TD	23-27/32	606	6-31/32	177	6-3/4	172	16-5/32	411	D054431-000
ICPW/ITPW/ICEX	21-1/2	546	6-31/32	177	6-3/4	172	13-13/16	351	D056900-000
IMC/W2	24-1/2	622	6-31/32	177	6-3/4	172	16-13/16	427	D056702-000



To order

Specify: Meter Series, Size and Type (i.e., ROOTS Meter Series B3 5M175 CD).
 For CD or TD, specify Inlet (Top or Side) and ID Rotation (CW-B or CCW-A).
 For Pulsar, specify Single or Dual Connectors and Connector Type (MS Circular, Conduit or Cable Gland).
 For more specific ordering information on the electronic products, request: TS:SSP or TS:IMC/W2.
 Contact the factory for other available information, options, or special requests.

WWW.BURNERPARTS.COM
 2011 WILLIAMSBURG ROAD
 RICHMOND, VIRGINIA 23231
 (804) 236-3881 FAX (804) 236-3882

